

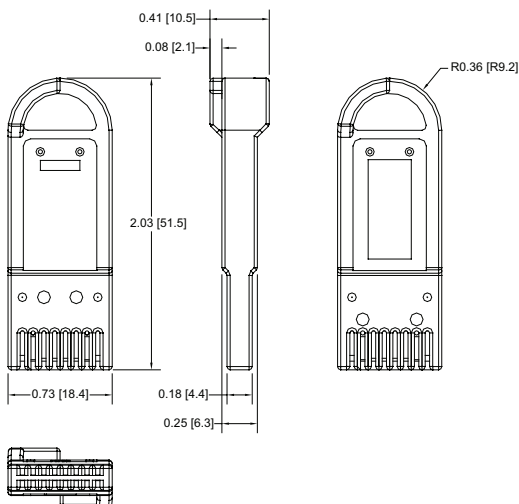
DFX-I Series

Industrial RUGGEDrive™ Token with SD Card Functionality

Datakey DFX-I memory tokens deliver SD card functionality in a more robust and secure form factor than consumer and industrial SD cards. As part of the Industrial RUGGEDrive™ line, DFX-I tokens utilize SD memory that is rated for operation over the entire industrial temperature range of -40°C to +85°C. DFX-I models utilize Multi-Level Cell (MLC) NAND flash, while DFX-IS models utilize more robust Single-Level Cell (SLC) NAND flash. Electrically, this token provides a standard SD interface (per the SD specification) – including support of SPI communications for embedded applications. DFX-I memory tokens utilize solid over-molded construction using ultra-rugged composites that protect the embedded memory from harsh environmental influences, such as dirt, moisture, chemicals and electrostatic discharge. The tokens can also be OEM-branded with a company logo, used in place of the Datakey logo.



For pin-out information, refer to the individual data sheets for the SR42xx (PCB-mount) and SR43xx or SR44xx (panel-mount) receptacles.



Drawing dimensions are in inches and millimeters [mm]. Dimensions are nominal and subject to manufacturer's tolerances.



The power of memory. Secured.

| MECHANICAL | |
|--|---|
| Contact Life | 10,000 Insertion/Removal Cycles Min. |
| Contact Arrangement | Fully Redundant (Front:Back) |
| ELECTRICAL | |
| Power, Active | 185 Milliwatts Typical at 3.3 V |
| Power, Standby | 400 Microwatts Typical at 3.3 V |
| Voltage | 3.3 V Operation and Programming |
| ESD Protection | 15 kV (air), 10 kV (contact) Per IEC 61000-4-2 |
| ENVIRONMENTAL | |
| Storage Temperature | -40°C to +85°C |
| Operating Temperature | -40°C to +85°C |
| Relative Humidity | 5% to 95% (non-condensing) |
| Waterproof | Yes |
| MEMORY ² | |
| Capacity Options (DFX-I) ² | 4 GB, 8 GB, 16 GB, 64 GB |
| Memory Type (DFX-I) | MLC NAND Flash |
| Capacity Options (DFX-IS) ² | 1 GB |
| Memory Type (DFX-IS) | SLC NAND Flash |
| EXTERNAL INTERFACE | |
| Interface | SD, SPI (per Secure Digital Specification) |
| Transfer Rate (SD) | Speed Class 10, Minimum |
| Clock Rate | Refer to SD Specification |
| MATING COMPONENT(S) | |
| PCB-mount Receptacles | SR4210/SR4220/SR4230 – PCB/SMT |
| Panel-mount Receptacles | SR4210/SR4310/SR4410 Series (including IP-rated versions) |
| PC Adapter | DFX PC Adapter (USB Type A) P/N 607-0081-000A |
| ORDERING INFORMATION ¹ | |
| DFX4G-I | 611-0223-00xA |
| DFX8GB-I | 611-0224-00xA |
| DFX16GB-I | 611-0225-00xA |
| DFX64GB-I | 611-0227-00xA |
| DFX1GB-IS | 611-0228-01xA |
| DFX-I Development Kit, 4 GB | 702-0093-000A |
| DFX-I Development Kit, 8 GB | 702-0093-001A |
| DFX-I Development Kit, 16 GB | 702-0093-002A |
| DFX-I Development Kit, 64 GB | 702-0093-004A |
| DFX-IS Development Kit, 1 GB | 702-0093-005A |

1: "x" indicates optional color number.

"A" suffix on part number indicates RoHS compliance. See CE declaration below for details.

2: Contact ATEK for additional memory capacity options.

NOTES:

- EN 55022 Class A Statement: Warning: This is a Class A product. In a domestic environment this product may cause radio interference in which case the user may be required to take adequate measures.
- DFX token was tested for CE conformity while connected with a DFX PC Adapter.
- Conforms with Directive 2011/65/EU of the European Parliament and of the Council of 8 June 2011, and as amended by Directive 2015/863/EU, on the restriction of the use of certain hazardous substances in electrical and electronic equipment.



WARNING: Cancer and Reproductive Harm - www.P65Warnings.ca.gov

221-0201-000 Rev. C 4/19

View our full product line at www.datakey.com

ATEK Access Technologies
10025 Valley View Road, Ste. 190
Eden Prairie, MN 55344 U.S.A.

PH: 1.800.523.6996
FAX: 1.800.589.3705
+1.218.829.9797

www.atekaccess.com



Access the power of technology.