

DFX PC Adapter

RUGGEDrive™ Interface Adapter

The DFX PC Adapter provides a convenient way to read data from or write data to DFX RUGGEDrive™ memory tokens using a PC. The small, lightweight adapter plugs into USB type A ports. When a DFX token is then inserted, it appears to the computer as a USB Mass Storage device (i.e. a USB flash drive). No special drivers should be needed for operating systems that support the USB Mass Storage Class.

In addition to converting the physical interface from the SlimLine™ contact system of the DFX memory token to the common USB type A plug, the DFX PC Adapter also converts the Secure Digital (SD) electrical interface to a USB 2.0 Hi-Speed interface. While the DFX memory token provides SD card functionality, the DFX PC Adapter essentially functions as an SD card reader, accepting DFX memory tokens rather than consumer SD cards.



Drawing dimensions are in inches and millimeters [mm].
Dimensions are nominal and subject to manufacturer's tolerances.



221-0189-000 Rev. C 4/19

ATEK Access Technologies
10025 Valley View Road, Ste. 190
Eden Prairie, MN 55344 U.S.A.

View our full product line at www.datakey.com

PH: 1.800.523.6996
FAX: 1.800.589.3705
+1.218.829.9797

www.atekaccess.com

MECHANICAL	
Operating Life (token receptacle)	50,000 Insertion/Removal Cycles Min.
Operating Life (USB type A connector)	1,500 Insertion/Removal Cycles Min.
ELECTRICAL	
Power Requirements	5 V, Supplied Through USB Port
Interface	USB 2.0 Hi-speed (through USB type A plug)
ENVIRONMENTAL	
Storage Temperature	-40°C to + 100°C
Operating Temperature	0°C to + 85°C
Relative Humidity	5% to 95% (non-condensing)
RoHS Compliant	Yes
MATING COMPONENT(S)	
DFX PC Adapter	DFX Memory Tokens
ORDERING INFORMATION ¹	
DFX PC Adapter	607-0081-000A

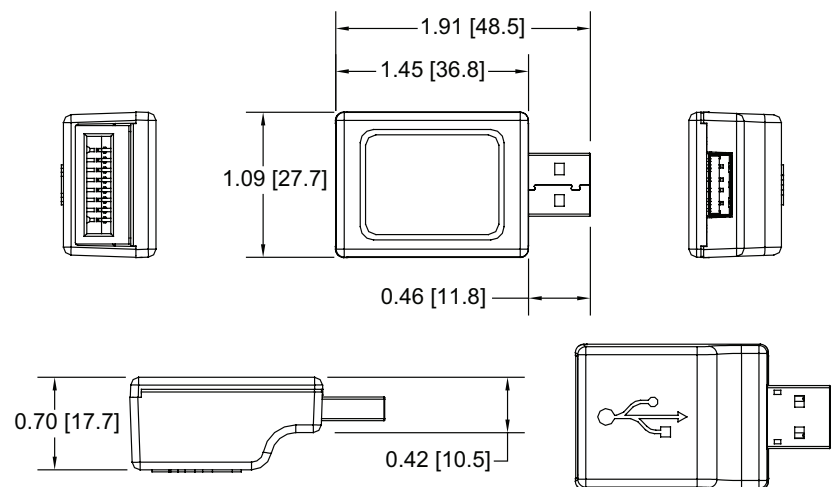
1: "A" suffix on part number indicates RoHS compliance. See CE declaration below for details.

NOTES:

- EN 55022 Class A Statement: Warning: This is a Class A product. In a domestic environment this product may cause radio interference in which case the user may be required to take adequate measures.
- DFX PC Adapter was tested for CE conformity while paired with a DFX memory token.
- Conforms with Directive 2011/65/EU of the European Parliament and of the Council of 8 June 2011, and as amended by Directive 2015/863/EU, on the restriction of the use of certain hazardous substances in electrical and electronic equipment.



 **WARNING:** Cancer and Reproductive Harm - www.P65Warnings.ca.gov



Access the power of technology.