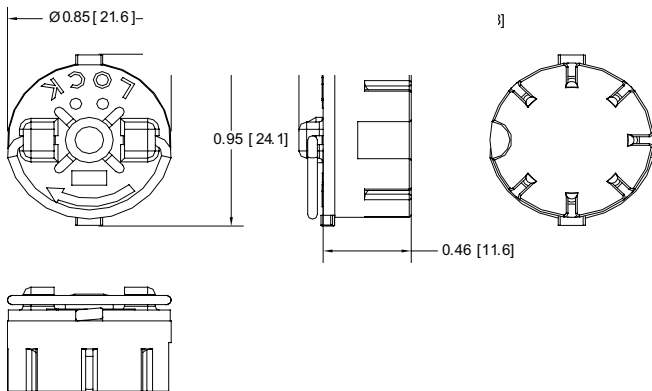


ISP Series

Serial Memory Plug Tokens

The ISP series of plug memory tokens contain 1 Kb to 256 Kb of non-volatile, serial I²C EEPROM memory¹. The ISP token features corrosion-resistant contacts and is molded using a rugged composite, which protects the embedded memory from harsh environmental influences, such as vibration, ice, dirt, moisture, chemicals, X-rays and electrostatic discharge. The ISP token features a locking mechanism, making it well-suited for high-vibration applications. It also uses a foldable bail, providing a means of easily inserting and removing the token, while folding flat to allow for a flush mount.



Drawing dimensions are in inches and millimeters [mm].
Dimensions are nominal and subject to manufacturer's tolerances.

- 1: Complete I²C interface specification available at www.datakey.com
- 2: "A" suffix on part number indicates RoHS compliance. See CE declaration to the right for details.
- 3: It is recommended that all new key/token implementations be designed to operate with power supplies in the range of 2.7 to 3.6 volts. Although there are no immediate difficulties in procuring memory devices that operate in the 4.5 to 5.5 volt range, future availability may be impacted as semiconductor manufacturers shrink their die geometries.

WARNING: Cancer and Reproductive Harm - www.P65Warnings.ca.gov

221-0089-000 Rev. H 4/19

View our full product line at www.datakey.com

ATEK Access Technologies
10025 Valley View Road, Ste. 190
Eden Prairie, MN 55344 U.S.A.

PH: 1.800.523.6996
FAX: 1.800.589.3705
+1.218.829.9797

www.atekaccess.com

| MECHANICAL | |
|-----------------------------------|---|
| Color | Black w/Gray Top |
| Weight | 8.5 g (0.3 oz) Maximum |
| Bail Torque | 1.4 N-m (12 in-lbf) Maximum |
| Bail Pull | 67 N (15 lbf) Minimum 110 N (25 lbf) Maximum |
| Contact Life | 10,000 Minimum Insertion/Removals |
| Shock (mated) | Meets or Exceeds MIL-STD-883F, Method 2002.4 Test Condition A |
| Vibration (mated) | Meets or Exceeds MIL-STD-883F, Method 2007.3 Test Condition A |
| ELECTRICAL ¹ | |
| Power, Active | 25 mW, Typical at 5 V |
| Power, Standby | 200 µW, Typical at 5 V |
| Voltage ³ | 2.7 to 5.5 V |
| ESD Protection | 15 kV (air), 10 kV (contact) |
| Device Address | Zero (0), Consult ATEK for Options |
| ENVIRONMENTAL | |
| Storage Temperature | -40°C to +100°C |
| Operating Temperature | -40°C to +80°C |
| Relative Humidity | 5% to 95% (non-condensing) |
| MEMORY ¹ | |
| Token: | Capacity: |
| ISP1Kb | 1 Kb (1024 bits) 128 x 8 |
| ISP4Kb | 4 Kb (4096 bits) 512 x 8 |
| ISP16Kb | 16 Kb (16,384 bits) 2048 x 8 |
| ISP64Kb | 64 Kb (65,536 bits) 8192 x 8 |
| ISP256Kb | 256 Kb (262,144 bits) 32,768 x 8 |
| Read Cycles | Unlimited |
| Write/Erase Cycles | 1,000,000 Minimum |
| Data Life | 10 Years Minimum |
| MATING COMPONENTS | |
| KSD Receptacle | 615-0004-000A |
| KSDLink III Programmer | 699-0057-001A |
| ORDERING INFORMATION ² | |
| ISP1Kb | 614-0014-000A |
| ISP4Kb | 614-0004-000A |
| ISP16Kb | 614-0015-000A |
| ISP64Kb | 614-0016-000A |
| ISP256Kb | 614-0013-000A |

NOTES: Conforms with Directive 2011/65/EU of the European Parliament and of the Council of 8 June 2011, and as amended by Directive 2015/863/EU, on the restriction of the use of certain hazardous substances in electrical and electronic equipment.



ATEK Access Technologies

Access the power of technology.