

KC4210PCB

Serial Memory Key Receptacle



The power of memory. Secured.

The KC4210PCB board-mount key receptacle interfaces with all Datakey serial memory keys. It is designed to mount on the edge of a printed circuit board and is more compact and requires less panel space than the KC4210. The KC4210PCB also features a Last-On/First-Off (LOFO) switch that may be used to protect the host bus by ensuring the key has made secure contact with the key receptacle before any signals are transmitted. Designed for maximum reliability, the receptacle utilizes a redundant contact system that provides a reliable connection over an operating life of at least 200,000 cycles.



MECHANICAL	
Operating Torque	85 mN-m (12 oz-in) Maximum
Operating Life	200,000 Insertion/Removal Cycles Min.
Key Stop Sustaining Torque	1.7 N-m (15 in-lbf)
ELECTRICAL	
Contact Resistance	Beginning of Life: 100 mΩ
	End of Life: 500 mΩ
ENVIRONMENTAL	
Storage Temperature	-40°C to +105°C
Operating Temperature	-40°C to +80°C
Relative Humidity	5% to 95% (non-condensing)
MATING COMPONENT(S)	
Keys	All Serial and Secure Memory Keys
ORDERING INFORMATION ¹	
KC4210PCB ³	606-0053-000A

- 1: "A" suffix on part number indicates RoHS compliance. See CE declaration below for details.
- 2: Interface specifications available at www.datakey.com.
- 3: The receptacle is also available in a panel-mount version (see KC4210).
- 4: RST signal used on I1K Series only.

NOTES:

Conforms with Directive 2011/65/EU of the European Parliament and of the Council of 8 June 2011, and as amended by Directive 2015/863/EU, on the restriction of the use of certain hazardous substances in electrical and electronic equipment.

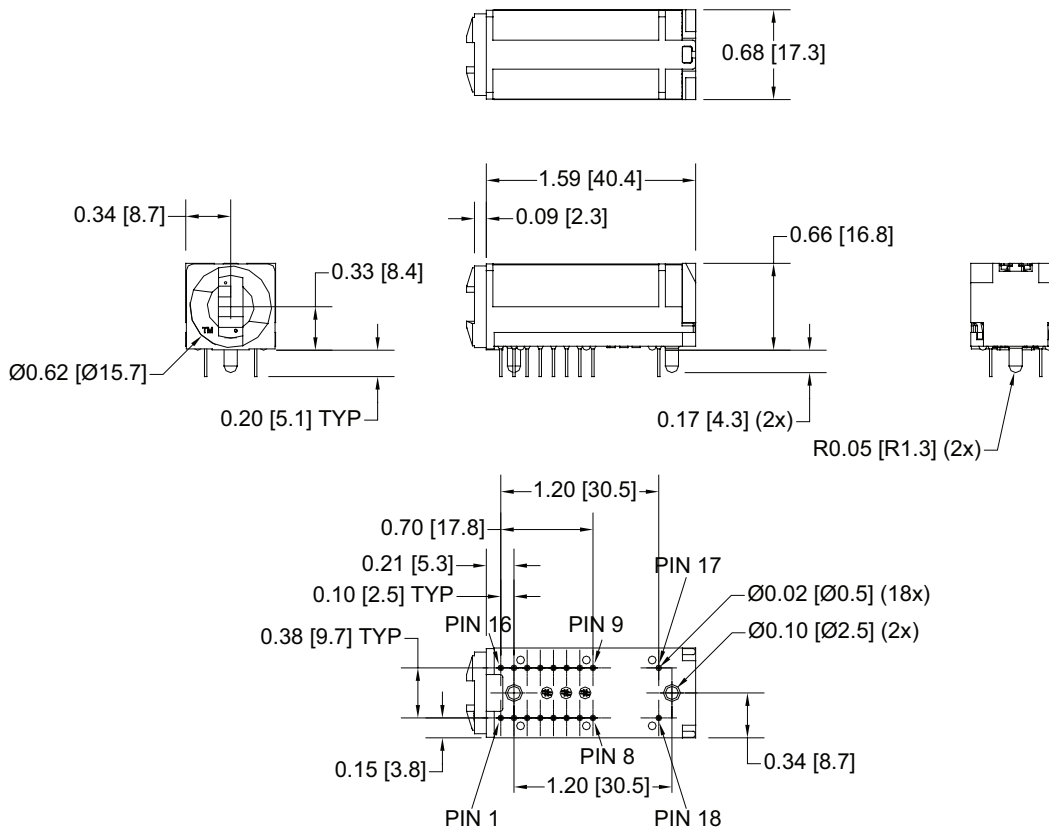


PIN-OUT CHART ²			
Pin	Microwire	I ² C	SPI
1	NC	SIZE / RST ⁴	/Hold
2	Ground (V _{SS})	Ground (V _{SS})	Ground (V _{SS})
3	Power (V _{CC})	Power (V _{CC})	Power (V _{CC})
4	NC	NC	NC
5	Data Out (DO)	Serial Data/Add (SDA)	Data Out (DO)
6	Chip Select (CS)	NC	/Chip Select (/CS)
7	Serial Clock (SK)	Serial Clock (SK)	Serial Clock (SK)
8	Data In (DI)	NC	Data In (DI)
9	Data In (DI)	NC	Data In (DI)
10	Serial Clock (SK)	Serial Clock (SK)	Serial Clock (SK)
11	Chip Select (CS)	NC	/Chip Select (/CS)
12	Data Out (DO)	Serial Data/Add (SDA)	Data Out (DO)
13	NC	NC	NC
14	Power (V _{CC})	Power (V _{CC})	Power (V _{CC})
15	Ground (V _{SS})	Ground (V _{SS})	Ground (V _{SS})
16	NC	SIZE / RST ⁴	/Hold
17	LOFO	LOFO	LOFO
18	LOFO	LOFO	LOFO

NC = No Connection

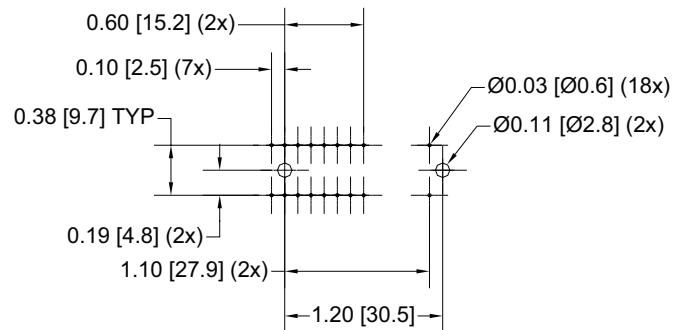


WARNING: Cancer and Reproductive Harm - www.P65Warnings.ca.gov



Receptacle pin-out as viewed from bottom side. For reference only.

Solder Pin Length 0.200" [5.08]
Diameter 0.018" [0.46]



PCB PATTERN LAYOUT

Drawing dimensions are in inches and millimeters [mm].
Dimensions are nominal and subject to manufacturer's tolerances.

221-0096-000 Rev. G 4/19

View our full product line at www.datakey.com

ATEK Access Technologies
10025 Valley View Road, Ste. 190
Eden Prairie, MN 55344 U.S.A.

PH: 1.800.523.6996
FAX: 1.800.589.3705
+1.218.829.9797

www.atekaccess.com



Access the power of technology.