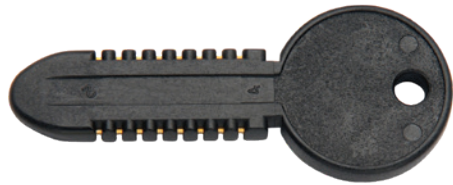


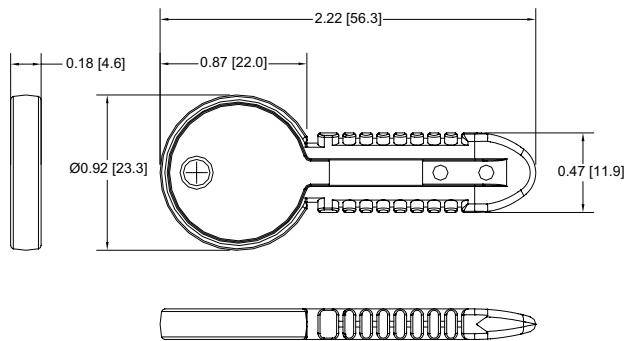
# LCK Series

## Serial Memory Keys

The LCK series of memory keys contain 1 Kb, 4 Kb, and 16 Kb of non-volatile, serial Microwire<sup>1</sup> EEPROM memory. A molded, synthetic body protects each key's embedded memory from harsh environmental influences, so it retains data even when exposed to dirt, moisture, chemicals, X-rays, and electrostatic discharge. The key design features a redundant contact system so the key can be inserted into the receptacle with either side up. Customization options are available, including color-matching and custom logos.



Refer to receptacle data sheets for pin-out information. Other key head designs and customization are also available. Contact ATEK for details.



Drawing dimensions are in inches and millimeters [mm]. Dimensions are nominal and subject to manufacturer's tolerances.

NOTE: Conforms with Directive 2011/65/EU of the European Parliament and of the Council of 8 June 2011, and as amended by Directive 2015/863/EU, on the restriction of the use of certain hazardous substances in electrical and electronic equipment.



**WARNING:** Cancer and Reproductive Harm - [www.P65Warnings.ca.gov](http://www.P65Warnings.ca.gov)

MECHANICAL	
Contact Life	15,000 Insertion/Removal Cycles Min.
Contact Arrangement	Fully Redundant (Top:Bottom)
Key Head Shear Limit	15 lbf
Key Twist Torque Limit	15 in-lbf
ELECTRICAL <sup>1</sup>	
Power, Active	25 mW Typical at 5 V
Power, Standby	250 $\mu$ W Typical at 5 V
Voltage <sup>2,3</sup>	2.7 to 5.5 V
ESD Protection	10 kV (Per Std. 064-1028)
ENVIRONMENTAL	
Storage Temperature	-40°C to +100°C
Operating Temperature	-40°C to +85°C
Relative Humidity	5% to 95% (non-condensing)
MEMORY <sup>1</sup>	
Key:	Capacity:
LCK1Kb	1 Kb (1,024 bits) 64 x 16
LCK4Kb	4 Kb (4,096 bits) 256 x 16
LCK16Kb	16 Kb (16,384 bits) 1024 x 16
Read Cycles	Unlimited
Write/Erase Cycles	1,000,000 Cycles Minimum
Data Life (Storage)	10 Years Minimum
MATING COMPONENT(S)	
Panel-Mount Receptacle	KC4210
PCB Mount Receptacle	KC4210PCB
Programmer	KeyLink™ III (recommended), KeyLink II
ORDERING INFORMATION <sup>4</sup>	
LCK1Kb	611-0049-00xA
LCK4Kb	611-0069-00xA
LCK16Kb	611-0070-00xA

- 1: Complete Microwire interface specification available at [www.datakey.com](http://www.datakey.com).
- 2: The Bulk Erase command is not supported at < 4.6 V.
- 3: It is recommended that all new key/token implementations be designed to operate with power supplies in the range of 2.7 to 3.6 volts. Although there are no immediate difficulties in procuring memory devices that operate in the 4.5 to 5.5 volt range, future availability may be impacted as semiconductor manufacturers shrink their die geometries.
- 4: "x" indicates optional color number. "A" suffix on part number indicates RoHS compliance. See CE declaration to the left for details.

221-0110-000 Rev. E 3/19

View our full product line at [www.datakey.com](http://www.datakey.com)

ATEK Access Technologies  
10025 Valley View Road, Ste. 190  
Eden Prairie, MN 55344 U.S.A.

PH: 1.800.523.6996  
FAX: 1.800.589.3705  
+1.218.829.9797

[www.atekaccess.com](http://www.atekaccess.com)



Access the power of technology.