

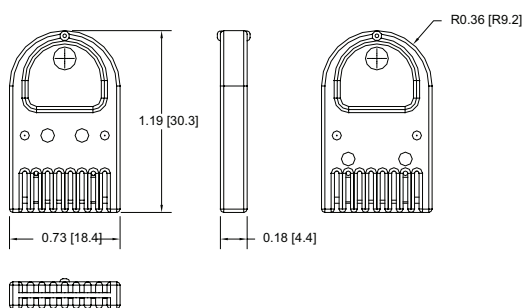
LCS Series

Serial Memory Tokens

The LCS Series of memory tokens contain 1 Kb, 4 Kb or 16 Kb of non-volatile, serial Microwire¹ EEPROM memory. A thin profile and space-saving interface connection make them especially well suited for use in compact systems. The token is molded using a rugged composite which protects the embedded memory from harsh environmental influences including dirt, moisture, chemicals, X-rays and electrostatic discharge. The token design features a redundant contact system so the token can be inserted into the receptacle with either side up.



For pin-out information, refer to the individual data sheets for the SR4000 family of receptacles.



Drawing dimensions are in inches and millimeters [mm].
Dimensions are nominal and subject to manufacturer's tolerances.

MECHANICAL	
Contact Life	10,000 Insertions/Removal Cycles Min.
Contact Arrangement	Fully Redundant (Front:Back)
ELECTRICAL ¹	
Power, Active	25 mW Typical at 5 V
Power, Standby	250 µW Typical at 5 V
Voltage ^{2,3}	2.7 to 5.5 V
ESD Protection	15kV (per Std. 064-1028)
ENVIRONMENTAL	
Storage Temperature	-40°C to + 100°C
Operating Temperature	-40°C to + 85°C
Relative Humidity	5% to 95% (non-condensing)
MEMORY ¹	
Token:	Capacity:
LCS1Kb	1 Kb (1,024 bits) 64 x 16
LCS4Kb	4 Kb (4,096 bits) 256 x 16
LCS16Kb	16 Kb (16,384 bits) 1024 x 16
Read Cycles	Unlimited
Write/Erase Cycles	1,000,000 Cycles Minimum
Data Life (Storage)	10 Years Minimum
MATING COMPONENT(S)	
Panel-Mount Receptacle	SR4210, SR4310, SR4410, SR4310xL, SR4410xL
PCB Mount Receptacle	SR4210PCB/SMT, SR4220PCB/SMT, SR4230PCB/SMT
Programmer	SlimLink™ III (recommended), SlimLink™ II
ORDERING INFORMATION ⁴	
LCS1Kb	611-0048-00xA
LCS4Kb	611-0108-00xA
LCS16Kb	611-0145-00xA

- 1: Complete Microwire interface specification available at www.datakey.com
- 2: The Bulk Erase command is not supported at < 4.6 V.
- 3: It is recommended that all new key/token implementations be designed to operate with power supplies in the range of 2.7 to 3.6 volts. Although there are no immediate difficulties in procuring memory devices that operate in the 4.5 to 5.5 volt range, future availability may be impacted as semiconductor manufacturers shrink their die geometries.
- 4: "X" indicates optional color number. "A" suffix on part number indicates RoHS compliance. See CE declaration below for details.

NOTES: Conforms with Directive 2011/65/EU of the European Parliament and of the Council of 8 June 2011, and as amended by Directive 2015/863/EU, on the restriction of the use of certain hazardous substances in electrical and electronic equipment.



WARNING: Cancer and Reproductive Harm - www.P65Warnings.ca.gov

221-0112-000 Rev. E 4/19

View our full product line at www.datakey.com

ATEK Access Technologies
10025 Valley View Road, Ste. 190
Eden Prairie, MN 55344 U.S.A.

PH: 1.800.523.6996
FAX: 1.800.589.3705
+1.218.829.9797

www.atekaccess.com

ATEK Access Technologies

Access the power of technology.