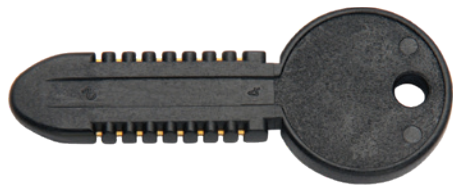


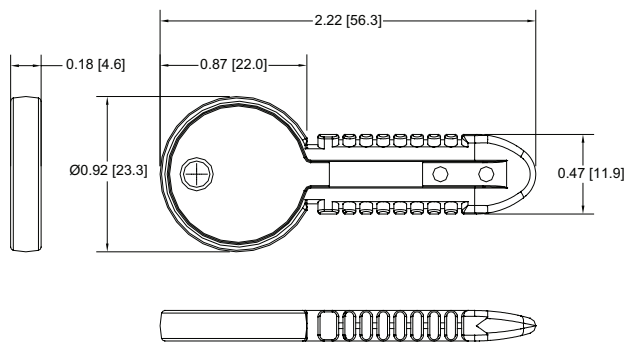
SSK Series

Serial Memory Keys

The SSK series is an ultra-rugged, key-shaped memory device that is ideal for access control and data transfer applications. Each device contains a 2 Kb, 16 Kb, 64 Kb or 256 Kb non-volatile, serial SPI¹ EEPROM that can be read, erased and written using a board-mount or panel-mount key receptacle or a KeyLink™ programmer that easily interfaces to PCs and other host hardware via a standard RS-232 or USB port. The key is molded using a rugged composite, which protects the embedded memory from harsh environmental influences, so it retains data even when exposed to dirt, moisture, chemicals, X-rays and up to 10 kV of electrostatic discharge. The key design features a redundant contact system, ensuring maximum reliability. Customization options are available, including color-matching and custom logos.



For pin-out information, refer to the key receptacle data sheets.



Drawing dimensions are in inches and millimeters [mm].
Dimensions are nominal and subject to manufacturer's tolerances.

MECHANICAL	
Contact Life	15,000 Insertions/Removal Cycles Min.
Contact Arrangement	Fully Redundant (Front:Back)
Key Head Shear Limit	15 lbf
Key Twist Torque Limit	15 in.-lbf
ELECTRICAL ¹	
Power, Active	25 mW at 5 V Typical
Power, Standby	50 μW at 5 V Typical
Voltage ³	2.7 to 5.5 V
ESD Protection	10 kV (per Std. 064-1028)
ENVIRONMENTAL	
Storage Temperature	-40°C to + 100°C
Operating Temperature	-40°C to + 85°C
Relative Humidity	5% to 95% (non-condensing)
MEMORY ¹	
Key:	Capacity:
SSK2Kb	2Kb (2,048 bits) 256 x 8
SSK16Kb	16Kb (16,384 bits) 2048 x 8
SSK64Kb	64Kb (65,536 bits) 8192 x 8
SSK256Kb	256Kb (262,144 bits) 32768 x 8
Read Cycles	Unlimited
Write/Erase Cycles	1,000,000 Cycles Minimum ⁴
Data Life (Storage)	10 Years Minimum
MATING COMPONENT(S)	
Panel-Mount Receptacle	KC4210
PCB Mount Receptacle	KC4210PCB
Reader/Writer	KeyLink™ III (recommended), KeyLink™ II
ORDERING INFORMATION ²	
SSK2Kb	611-0094-00xA
SSK16Kb	611-0096-00xA
SSK64Kb	611-0097-00xA
SSK256Kb	611-0098-00xA

- 1: Complete interface specification available at www.datakey.com
- 2: "x" indicates optional color number. "A" suffix on part number indicates RoHS compliance. See CE declaration below for details.
- 3: It is recommended that all new key/token implementations be designed to operate with power supplies in the range of 2.7 to 3.6 volts. Although there are no immediate difficulties in procuring memory devices that operate in the 4.5 to 5.5 volt range, future availability may be impacted as semiconductor manufacturers shrink their die geometries.
- 4: SSK256Kb keys manufactured prior to 2007 have a 100,000 write/erase cycle minimum.

NOTES: Conforms with Directive 2011/65/EU of the European Parliament and of the Council of 8 June 2011, and as amended by Directive 2015/863/EU, on the restriction of the use of certain hazardous substances in electrical and electronic equipment.

WARNING: Cancer and Reproductive Harm - www.P65Warnings.ca.gov

221-0130-000 Rev. F 4/19

View our full product line at www.datakey.com

ATEK Access Technologies
10025 Valley View Road, Ste. 190
Eden Prairie, MN 55344 U.S.A.

PH: 1.800.523.6996
FAX: 1.800.589.3705
+1.218.829.9797

www.atekaccess.com

ATEK Access Technologies

Access the power of technology.