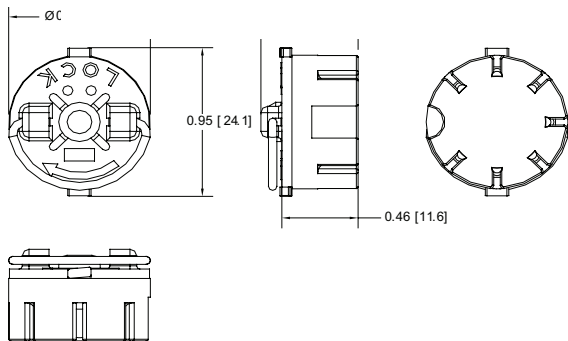


SSP Series

Serial Memory Plug Tokens

The SSP series of plug memory tokens contain 2 Kb to 256 Kb of non-volatile, serial SPI¹ EEPROM memory. The SSP token features corrosion-resistant contacts and is molded using a rugged composite, which protects the embedded memory from harsh environmental influences such as ice, dirt, moisture, chemicals, X-rays, and electrostatic discharge. The SSP token features a locking mechanism, making it well-suited for high-vibration applications. It also uses a foldable bail, providing a means of easily inserting and removing the token, while folding flat to allow for a flush mount.



Drawing dimensions are in inches and millimeters [mm].
Dimensions are nominal and subject to manufacturer's tolerances.

- 1: Complete SPI interface specification available at www.datakey.com.
- 2: "A" suffix on part number indicates RoHS compliance. See CE declaration below for details.
- 3: It is recommended that all new key/token implementations be designed to operate with power supplies in the range of 2.7 to 3.6 volts. Although there are no immediate difficulties in procuring memory devices that operate in the 4.5 to 5.5 volt range, future availability may be impacted as semiconductor manufacturers shrink their die geometries.

 **WARNING:** Cancer and Reproductive Harm - www.P65Warnings.ca.gov

221-0137-000 Rev. G 4/19

View our full product line at www.datakey.com

ATEK Access Technologies
10025 Valley View Road, Ste. 190
Eden Prairie, MN 55344 U.S.A.

PH: 1.800.523.6996
FAX: 1.800.589.3705
+1.218.829.9797

www.atekaccess.com

MECHANICAL	
Color	Black w/Gray Top
Weight	8.5 g (0.3 oz) Maximum
Bail Torque	1.4 N-m (12 in-lbf) Maximum
Bail Pull	67 N (15 lbf) Minimum 110 N (25 lbf) Maximum
Contact Life	10,000 Minimum Insertion/Removals
Shock	Meets or Exceeds MIL-STD-883F, Method 2002.4 Test Condition A
Vibration	Meets or Exceeds MIL-STD-883F, Method 2007.3 Test Condition A
ELECTRICAL ²	
Power, Active	25 mW, Typical at 5 V
Power, Standby	200 μ W, Typical at 5 V
Voltage ^{2, 3}	2.7 to 5.5 V
ESD Protection	15 kV (air), 10 kV (contact)
ENVIRONMENTAL	
Storage Temperature	-40°C to +100°C
Operating Temperature	-40°C to +85°C
Relative Humidity	5% to 95% (non-condensing)
MEMORY ¹	
Plug:	Capacity:
SSP2Kb	2 Kb (2048 bits) 256 x 8
SSP16Kb	16 Kb (16,384 bits) 2048 x 8
SSP64Kb	64 Kb (65,536 bits) 8192 x 8
SSP256Kb	256 Kb (262,144 bits) 32,768 x 8
Read Cycles	Unlimited
Write/Erase Cycles	1,000,000 Minimum
Data Life (Storage)	10 Years Minimum
MATING COMPONENTS	
KSD Receptacle	615-0004-000A
KSDLink III Programmer	699-0057-001A
ORDERING INFORMATION ²	
SSP2Kb	614-0008-000A
SSP16Kb	614-0009-000A
SSP64Kb	614-0010-000A
SSP256Kb	614-0011-000A

NOTE: Conforms with Directive 2011/65/EU of the European Parliament and of the Council of 8 June 2011, and as amended by Directive 2015/863/EU, on the restriction of the use of certain hazardous substances in electrical and electronic equipment.




Access the power of technology.