

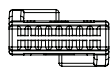
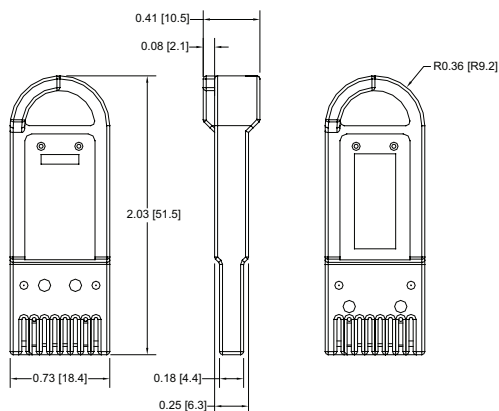
UFX-I Series

Industrial RUGGEDrive™ Token with USB Flash Drive Functionality

Datakey UFX-I memory tokens deliver USB flash drive functionality in a more robust and secure form factor than consumer and industrial flash drives. As part of the Industrial RUGGEDrive™ line, UFX-I tokens are rated for operation over the entire industrial temperature range of -40°C to +85°C. UFX-I models utilize 3D Triple-Level Cell (TLC) NAND flash, while UFX-IS models utilize more robust pseudo Single-Level Cell (pSLC) NAND flash. The tokens are available in capacities from 4 GB to 64 GB and utilize a USB 2.0 Hi-Speed interface. Each token contains a unique serial number which can be used for token identification or for encrypting on-board data. UFX-I tokens also contain a fixed USB Vendor ID and a Product ID that is unique for each model. This allows the host to authenticate the token (check for the proper Vendor ID) and determine the model (and memory capacity) of the inserted token. UFX-I memory tokens utilize solid over-molded construction using ultra-rugged composites that protect the embedded memory from harsh environmental influences, such as dirt, moisture, chemicals, and electrostatic discharge. The tokens can also be OEM-branded with a company logo, used in place of the Datakey logo.



For pin-out information, refer to the individual data sheets for the SR42xx (PCB-mount) and UR4xxx or SR4XXX (panel-mount) receptacles.



Drawing dimensions are in inches and millimeters [mm]. Dimensions are nominal and subject to manufacturer's tolerances.

WARNING: Cancer and Reproductive Harm - www.P65Warnings.ca.gov

221-0220-000 Rev. B 8/23

View our full product line at www.datakey.com

ATEK Access Technologies
10025 Valley View Road, Ste. 190
Eden Prairie, MN 55344 U.S.A.

PH: 1.800.523.6996
FAX: 1.800.589.3705
+1.218.829.9797

www.atekaccess.com

Datakey®

The power of memory. Secured.

MECHANICAL	
Contact Life	10,000 Insertion/Removal Cycles Min.
Contact Arrangement	Fully Redundant (Front:Back)
ELECTRICAL	
Power, Active ³	915 mW Typical at 5 V
Voltage	5 V Operation and Programming
ESD Protection	15 kV (air), 10 kV (contact) Per IEC 61000-4-2
ENVIRONMENTAL	
Storage Temperature	-40°C to +85°C
Operating Temperature	-40°C to +85°C
Relative Humidity	5% to 95% (non-condensing)
Waterproof	Yes
MEMORY ²	
Capacity Options (UFX-I)	4 GB, 8 GB, 16 GB, 32 GB, 64 GB
Memory Type (UFX-I)	TLC NAND Flash ³
Write/Erase Cycles (UFX-I)	3,000 per Cell Typical
Capacity Options (UFX-IS)	4 GB
Memory Type (UFX-IS)	pSLC NAND Flash (TLC)
Write/Erase Cycles (UFX-IS)	30,000 per Cell Typical
EXTERNAL INTERFACE	
Interface	USB 2.0 (Hi-Speed)
Transfer Rate	10 MB/sec (sustained write), Minimum
MATING COMPONENT(S)	
PCB-mount Receptacles	SR4210/SR4220/SR4230 – PCB/SM
Panel-mount Receptacles	UR4210/UR4310/UR4410 Series SR4210/SR4310/SR4410 Series
PC Adptper (USB Type A)	UFX PC Adapter P/N 607-0082-000A
ORDERING INFORMATION ¹	

UFX4GB-I (4 GB, MLC)	611-0237-00xA
UFX8GB-I (8 GB, MLC)	611-0214-01xA
UFX16GB-I (16 GB, TLC)	611-0238-00xA
UFX32GB-I (32 GB, TLC)	611-0239-00xA
UFX64GB-I (64 GB, TLC)	611-0240-00xA
UFX4GB-IS (4 GB, pSLC)	611-0241-00xA
UFX-I Development Kit, 4 GB	702-0095-000A
UFX-I Development Kit, 16 GB	702-0095-001A
UFX-I Development Kit, 32 GB	702-0095-002A
UFX-I Development Kit, 64 GB	702-0095-003A
UFX-IS Development Kit, 4 GB	702-0095-004A

- "x" indicates optional color number. "A" suffix on part number indicates RoHS compliance. See CE declaration below for details.
- Contact ATEK for additional memory capacity options.
- UFX4GB-I and UFX8GB-I use 2D MLC NAND flash. 32 GB and 64 GB models have a typical power usage of 1125 mW (active).

NOTES:

- EN 55022 Class A Statement: Warning: This is a Class A product. In a domestic environment this product may cause radio interference in which case the user may be required to take adequate measures.
- UFX-I token was tested for CE conformity while connected with a UFX PC Adapter.
- Conforms with Directive 2011/65/EU of the European Parliament and of the Council of 8 June 2011, and as amended by Directive 2015/863/EU, on the restriction of the use of certain hazardous substances in electrical and electronic equipment standy (respectively)



ATEK Access Technologies

Access the power of technology.