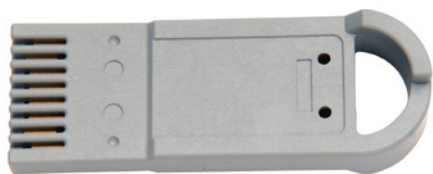


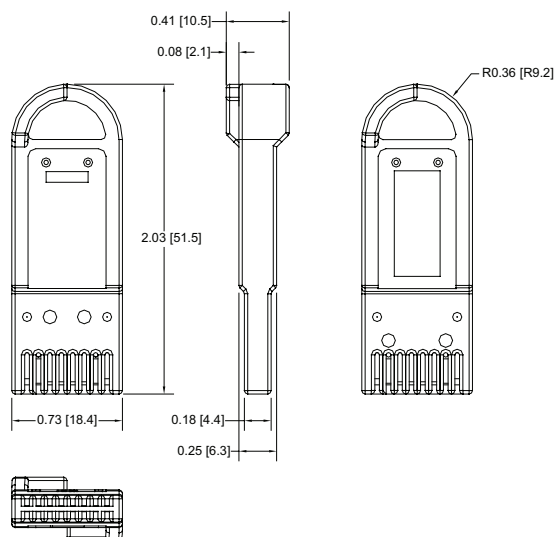
UFX Series

Commercial RUGGEDrive™ Token with USB Flash Drive Functionality

Datakey UFX memory tokens deliver USB flash drive functionality in a more robust and secure form factor than consumer flash drives. The tokens are available in capacities from 4 GB to 64 GB and utilize a USB 2.0 Hi-Speed interface. Each token contains a unique serial number which can be used for token identification or for encrypting on-board data. UFX tokens also contain a fixed USB Product ID and Vendor ID that can be used for token authentication. UFX memory tokens utilize solid over-molded construction using ultra-rugged composites that protect the embedded memory from harsh environmental influences, such as dirt, moisture, chemicals, and electrostatic discharge. The tokens can also be OEM-branded with a company logo, used in place of the Datakey logo.



For pin-out information, refer to the individual data sheets for the SR42xx (PCB-mount) and UR4xxx or SR4XXX (panel-mount) receptacles.



Drawing dimensions are in inches and millimeters [mm]. Dimensions are nominal and subject to manufacturer's tolerances.

 **WARNING:** Cancer and Reproductive Harm - www.P65Warnings.ca.gov

221-0176-000 Rev. I 4/19

View our full product line at www.datakey.com

ATEK Access Technologies
10025 Valley View Road, Ste. 190
Eden Prairie, MN 55344 U.S.A.

PH: 1.800.523.6996
FAX: 1.800.589.3705
+1.218.829.9797

www.atekaccess.com

Datakey®

The power of memory. Secured.

MECHANICAL	
Contact Life	10,000 Insertion/Removal Cycles Min.
Contact Arrangement	Fully Redundant (Front:Back)
ELECTRICAL	
Power, Active	250 mW Typical at 5 V
Power, Standby	150 mW Typical at 5 V
Voltage	5 V Operation and Programming
ESD Protection	15 kV (air), 10 kV (contact) Per IEC 61000-4-2
ENVIRONMENTAL	
Storage Temperature	-40°C to +85°C
Operating Temperature	0°C to +85°C
Relative Humidity	5% to 95% (non-condensing)
Waterproof	Yes
MEMORY	
Capacity Options	4 GB, 8 GB, 16 GB, 32 GB, 64 GB
Memory Type	MLC NAND Flash
EXTERNAL INTERFACE	
Interface	USB 2.0 (Hi-Speed)
Transfer Rate	10 MB/sec (sustained write), Minimum
MATING COMPONENT(S)	
PCB-mount Receptacles	SR4210/SR4220/SR4230 – PCB/SMT
Panel-mount Receptacles	UR4210/UR4310/UR4410 Series SR4210/SR4310/SR4410 Series
PC Adapter	UFX PC Adapter (USB Type A) P/N 607-0082-000A
ORDERING INFORMATION ¹	
UFX4GB	611-0210-00xA
UFX8GB	611-0214-00xA
UFX16GB	611-0215-00xA
UFX32GB	611-0216-00xA
UFX64GB	611-0221-00xA
UFX Development Kit, 4 GB	702-0085-000A
UFX Development Kit, 8 GB	702-0085-001A
UFX Development Kit, 16 GB	702-0085-002A
UFX Development Kit, 32 GB	702-0085-003A
UFX Development Kit, 64 GB	702-0085-004A

1: "x" indicates optional color number. "A" suffix on part number indicates RoHS compliance. See CE declaration below for details.

NOTES:

- EN 55022 Class A Statement: Warning: This is a Class A product. In a domestic environment this product may cause radio interference in which case the user may be required to take adequate measures.
- UFX token was tested for CE conformity while connected with a UFX PC Adapter.
- Conforms with Directive 2011/65/EU of the European Parliament and of the Council of 8 June 2011, and as amended by Directive 2015/863/EU, on the restriction of the use of certain hazardous substances in electrical and electronic equipment.



ATEK Access Technologies

Access the power of technology.