

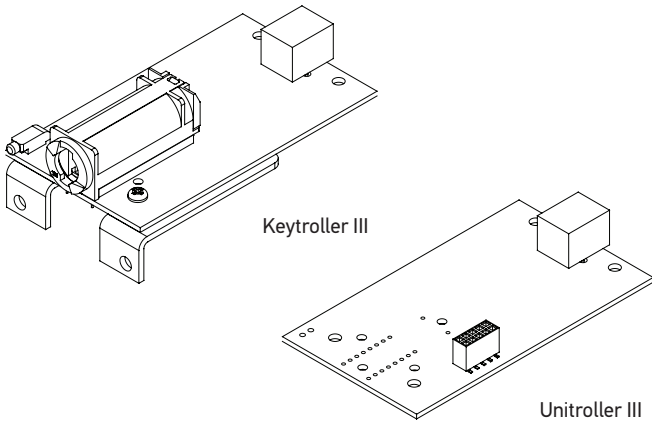
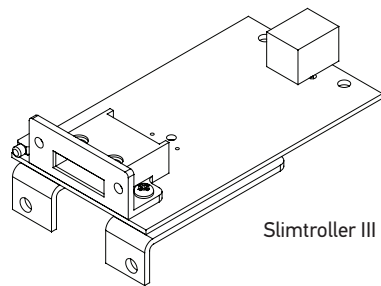
# Unitroller™ III Programmer

Also Keytroller™ III and Slimtroller™ III



The power of memory. Secured.

Unitroller III, Keytroller III and Slimtroller III programmers (Series III programmers) provide a convenient way to read data from or write data to Datakey Serial Memory keys and tokens using a Windows<sup>2</sup> PC. The programmers are designed for mounting in an enclosure where they would connect to a host computer's USB port. For applications requiring a connection to an RS-232 serial port, a Unitroller IIs, Keytroller IIs or Slimtroller IIs may be used. The Keytroller III has an integrated key receptacle and supports the key form factor. The Slimtroller III has an integrated SlimLine™ token receptacle and supports tokens that use the SlimLine contact system.<sup>1</sup> The Unitroller III has a header connector that is used to connect to a panel-mounted key or token receptacle using a ribbon cable. The Unitroller III also supports connections to Bar or Plug token receptacles with a custom cable. The Series III programmers work with all standard Serial Memory keys and tokens.<sup>1</sup> Prior to first use, a user will send a command, configuring the programmer for a specific key/token type. Each programmer ships with a USB cable and a CD containing documentation, Windows drivers and sample software applications.



## MECHANICAL

Contact Life (Receptacle)	Keytroller III: 200,000 Slimtroller III: 50,000 Insertion/Removal Cycles Minimum
Drop Shock	32" Drop on Carpet-covered Concrete Repeated Three Times on Each Axis

## ELECTRICAL

Power Requirements	Supplied Through USB 5 V, 50 mA Typical
USB Connector	Type B USB Interface (1.1 & 2.0 compatible)
Throughput Speeds	Read Speed: 4 Mbps, Typical Write Speed: 1 Mbps, Typical

## ENVIRONMENTAL

Storage Temperature	-40°C to +85°C
Operating Temperature	0°C to +70°C
Relative Humidity	5% to 95% (non-condensing)

## SUPPORTED OPERATING SYSTEMS<sup>2</sup>

Windows XP, Windows 7, Windows 8, Windows 10 (32- and 64-bit)

## SUPPLIED ACCESSORIES

Documentation, Windows Drivers and Sample Applications on CD  
USB Type A to B M/M 6 ft [1.82 m]

## MATING COMPONENT(S)

Keys or Tokens Serial Memory Keys/Tokens

## ORDERING INFORMATION<sup>3</sup>

Keytroller III	607-0066-002A
Slimtroller III	607-0076-002A
Unitroller III	607-0069-004A

1: Series III programmers do not support RUGGEDrive™, NFX, IEK, IET or IEX memory devices.  
2: Windows is a registered trademark of Microsoft Corporation in the United States and other countries.  
3: 'A' suffix on part number indicates RoHS compliance. See CE declaration below for details.  
NOTE:  
Conforms with Directive 2011/65/EU of the European Parliament and of the Council of 8 June 2011, and as amended by Directive 2015/863/EU, on the restriction of the use of certain hazardous substances in electrical and electronic equipment.

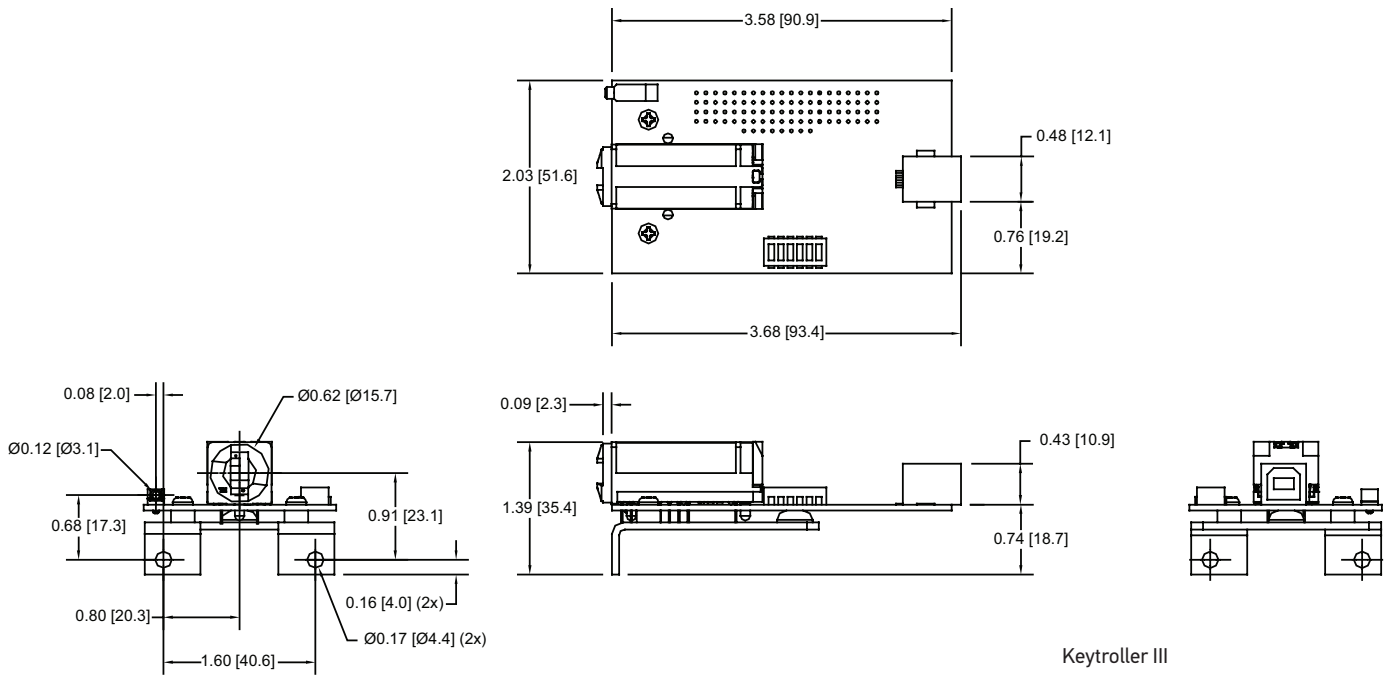


WARNING: Cancer and Reproductive Harm - [www.P65Warnings.ca.gov](http://www.P65Warnings.ca.gov)

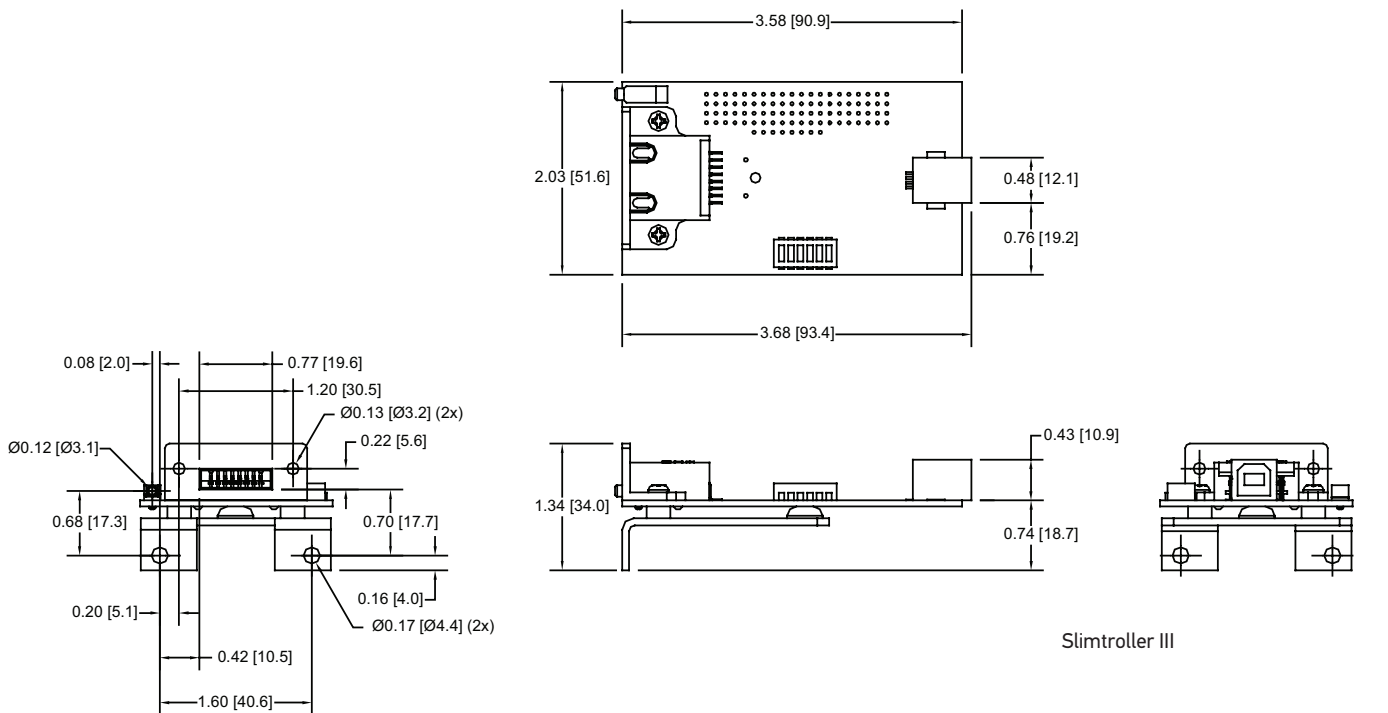
# Keytroller™ III and Slimtroller™ Programmable



The power of memory. Secured.

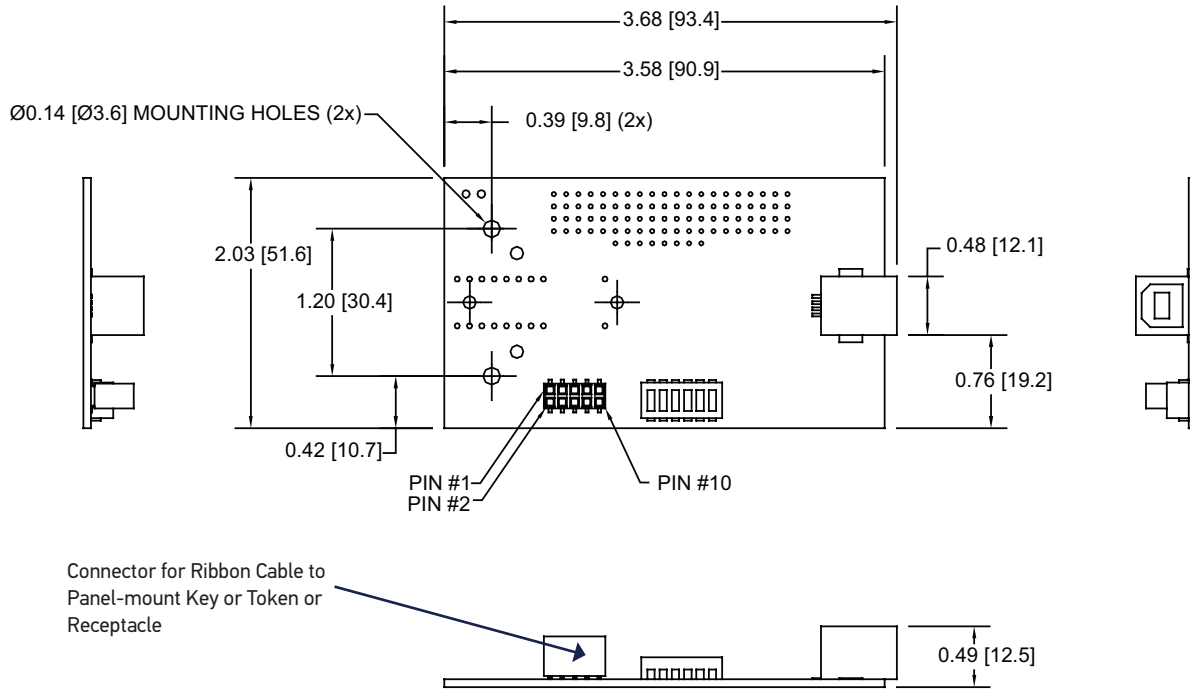


Keytroller III



Slimtroller III

Drawing dimensions are in inches and millimeters [mm].  
Dimensions are nominal and subject to manufacturer's tolerances.



Unitroller III

NOTE: Unitroller™ III header connector is PIN:PIN compatible with the following Datakey panel-mount receptacles:

- |                  |                                |
|------------------|--------------------------------|
| Key Receptacles: | SlimLine Receptacles:          |
| • KC4210         | • SR4210                       |
| • KC4210L        | • SR4310SP, SR4310IM, SR4310EI |
|                  | • SR4410SP, SR4410IM, SR4410EI |

Female header on Unitroller III mates with standard male ribbon cable connector (0.100" centers, 0.025" square pins).

Drawing dimensions are in inches and millimeters [mm].  
Dimensions are nominal and subject to manufacturer's tolerances.

221-0152-000 Rev. C 4/19

View our full product line at [datakey.com](http://datakey.com)

ATEK Access Technologies  
10025 Valley View Road, Ste. 190  
Eden Prairie, MN 55344 U.S.A.

PH: 1.800.523.6996  
FAX: 1.800.589.3705  
+1.218.829.9797

[www.atekaccess.com](http://www.atekaccess.com)



Access the power of technology.